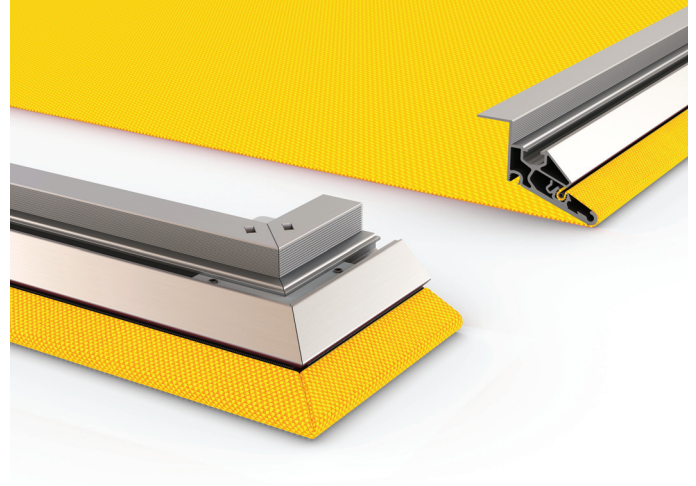


# Soft Cells Aesthetic

version 2021.07.13



## About

Soft Cells Aesthetic panels are single layer textiles upholstered on the Soft Cells frame system. Typically, this version offers Class C to E sound absorption, as per ISO 11654.

Particularly well suited to:

Spaces with low to moderate sound reverberation problems and noise levels

Combination with other Soft Cells products for a total acoustic solution with a coherent aesthetic appearance

Semi-transparent solutions for covering building service systems e.g. in ceilings

## Applications

Interior walls and ceilings

## Structural form

Single-sided, single-layer tensioned textile on aluminium frame

## Dimensions

Customised as standard from 7.87 × 7.87 in to 118.11 × 236.22 in, depending on choice of textile (textile width – 7.87 in = maximum panel width). Larger special sizes can be prepared on request

## System depth

Wall-mounted version: 2.16 in from installation surface.

Ceiling-mounted version with magnet or hinge/push-latch: 2.16 in from installation surface.

Ceiling-mounted version with steel wire: min. 4.33 in/max. 62.99 in

## Frame profile

Aluminium hollow section profile, height: 1.93 in  
Colour: silver anodised

## Mounting system

Walls: magnets and flex magnet (combined) or hinge/push latch

Ceilings: magnets or flex magnet or hinge/push latch or steel wire

## Textiles

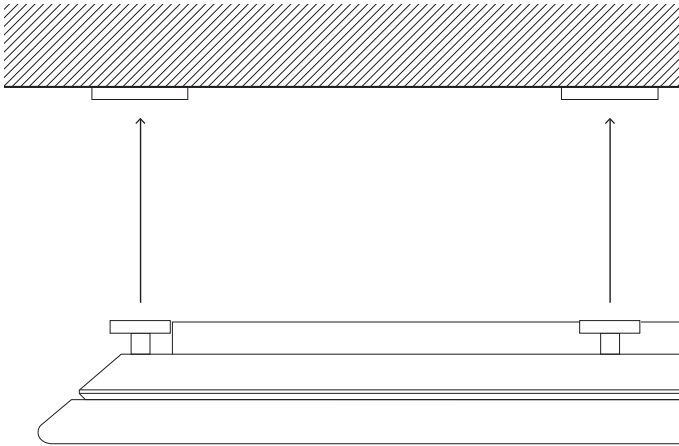
A standard set of textiles have been tested for sound absorption according to ISO 11654/EN ISO 354. Additional textiles can be tested for acoustic performance upon request

## Acoustic system

Front textile combined with air space between textile and installation surface

# Accessories

## Magnet suspension

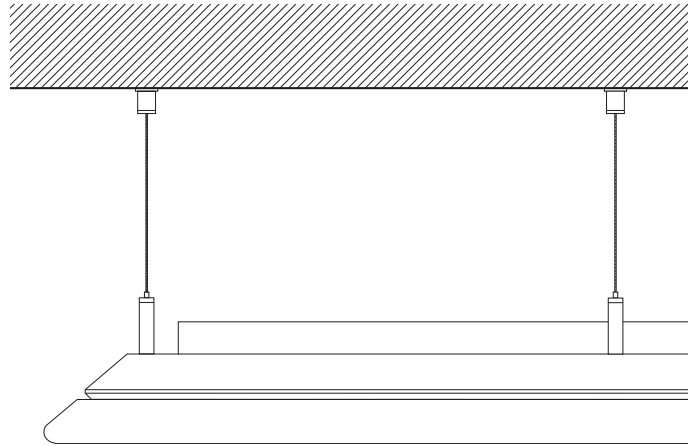


Allow for the dismantling of panels without tools.  
Suitable for mounting on ceilings

Material: pot magnet, steel

Overall depth of the panels from the face of the installation surface: 2.16 in

## Steel wire suspension

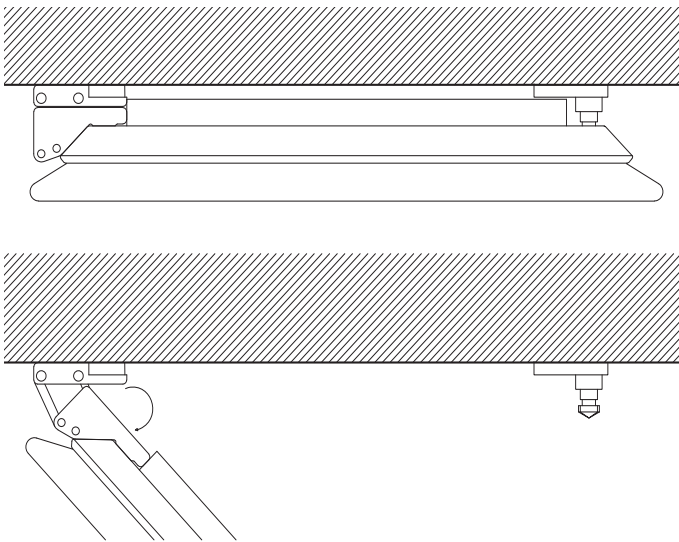


For ceiling mounting where a suspended ceiling is required.

Material: stainless steel wire

Adjustable distance from the front side of the panel to the installation surface: range: 4.33-62.99 in

## Hinge/push latch suspension

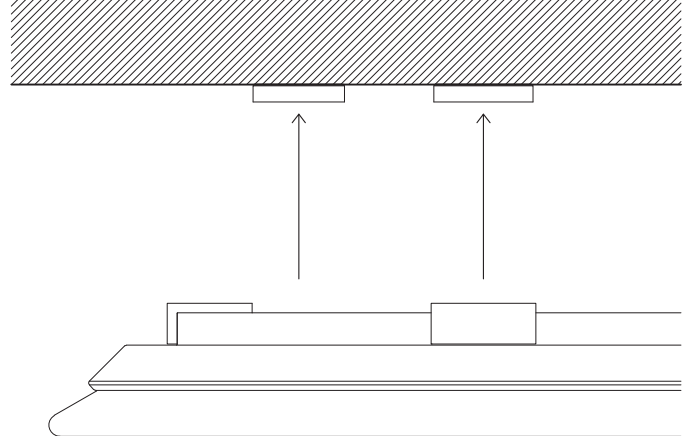


If subsequent regular access is required behind the panel, Soft Cells should be mounted with hinge/push latch.

Material: steel

Dimensions from the front side of the Soft Cells to the installation brackets: 2.16 in

## Flex magnet suspension

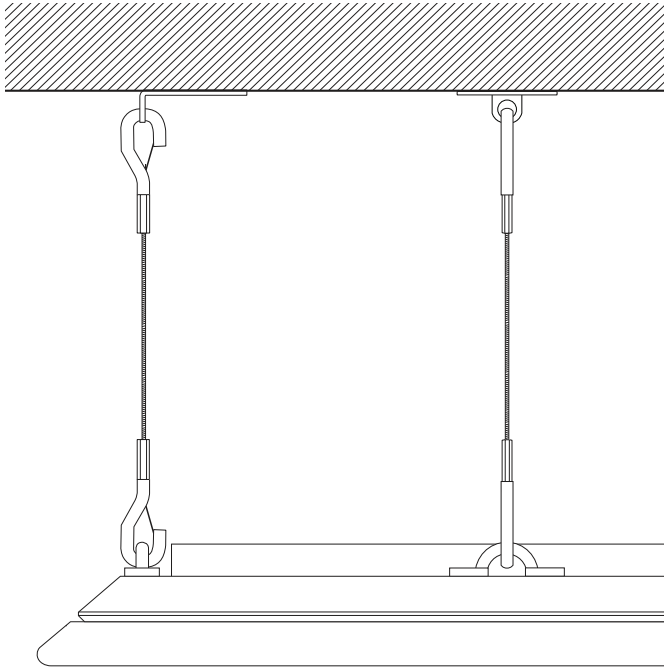


Allow for the dismantling of panels without tools.  
Suitable for mounting on walls and ceilings  
Concealed/hidden solution.

Material: pot magnet, steel, aluminium

Overall depth of the panels from the face of the installation surface: 2.16 in

## Safety wire



All suspension systems include safety wires if panels are installed in ceilings or on walls more than 118.11in above floor level. (optional for wire suspension).

## Fire performance

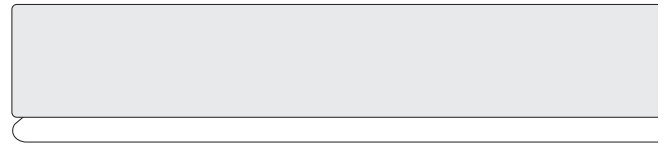
Kvadrat Soft Cells come with a range of fire tests classifications and certificates included as standard for several international markets (Europe, USA, China, Middle East, etc.). Due to the many different possible configurations of Soft Cells and varying fire regulations in different markets, the standard coverage can vary for your particular product choice and setting. For further details please see Kvadrat Soft Cells fire performance, test certificates and services-document.

## CE-marking

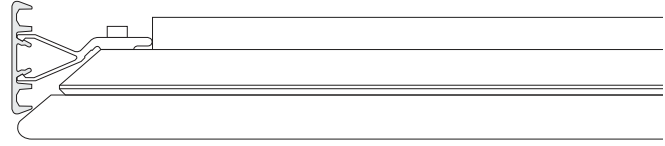
Kvadrat Soft Cells comply with the EU-harmonised product standard for suspended ceilings (EN-13964).

For further details please refer to [softcells.com](http://softcells.com)

## End caps



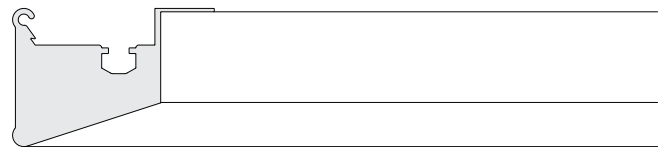
Front view End cap profile



Side view End cap profile



Front view Closed edge profile



Section view Closed edge profile

For covering the small gap between wall and Soft Cells

Material: aluminium

Width: 1.77 in, length adjusted to length or width of Soft Cells, max. 236.22 in in one piece. Can be upholstered with the same textiles as the Soft Cells panels.

## Environmental labelling

Kvadrat Soft Cells carry general environmental product declaration (EPD) according to international standards. This information feed into all major environmental building certification schemes like DGNB, LEED, BREEAM, HQE and others used worldwide. Furthermore, Kvadrat Soft Cells are designed for disassembly.

## Printed SC

SC with print is available on Primus 1100 and Toto 1102 as a front textile.

Printed textiles are EN-fire tested B,s1-d0 and acoustic performance equals non-printed versions.

Printed SC size limits are:

Max length of 118.11 in

Max width of 59.05 in.

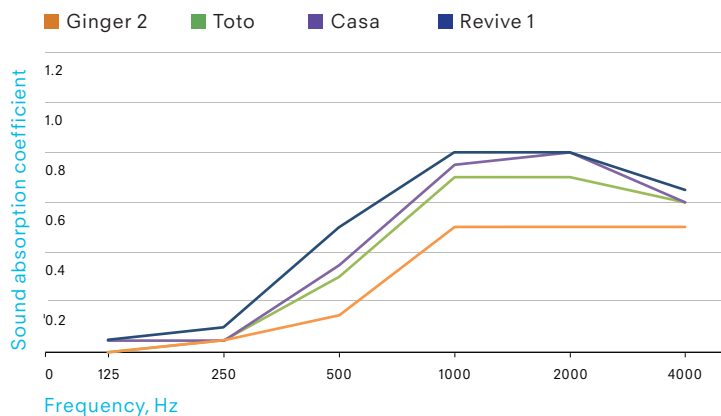
# Acoustic performance

Acoustic results for specific textiles can be supplied upon request, or downloaded from soft-cells.com.

See indicative examples in figures below:

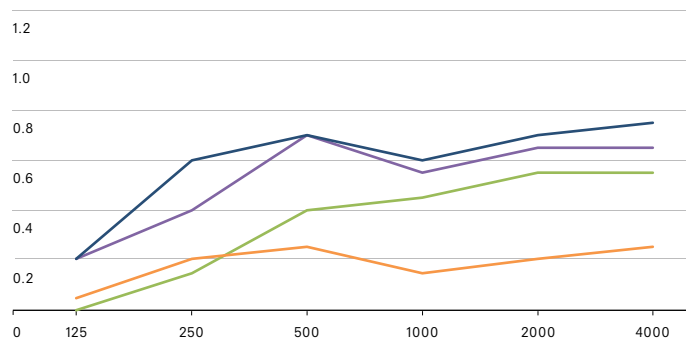
## Wall Use

Wall and ceiling absorbers installed with magnets, 2.16 in depth (ISO-354) with different front textiles



## Ceiling Use

Suspended ceiling absorbers, 7.87 in depth (ISO-354) with different front textiles



Textile example	Acoustic Class	NRC	US Fire Class
Ginger 2	E	0,15	No class
Toto SC	D	0,45	No class
Casa	D	0,5	No class
Revive 1	D	0,55	No class

Textile example	Acoustic Class	NRC	US Fire Class
Ginger 2	E	0,2	No class
Toto SC	D	0,40	No class
Casa	C	0,6	No class
Revive 1	C	0,65	No class